

SITE DESCRIPTION AND LAND LAYOUT

Site map for the Water project

Given below is the site plan for the Water project. The location for diversion weir, pump, main reservoir, sedimentation tank, filtration tank and distribution tank are highlighted.



Figure 1. Site map

Index map of the institute

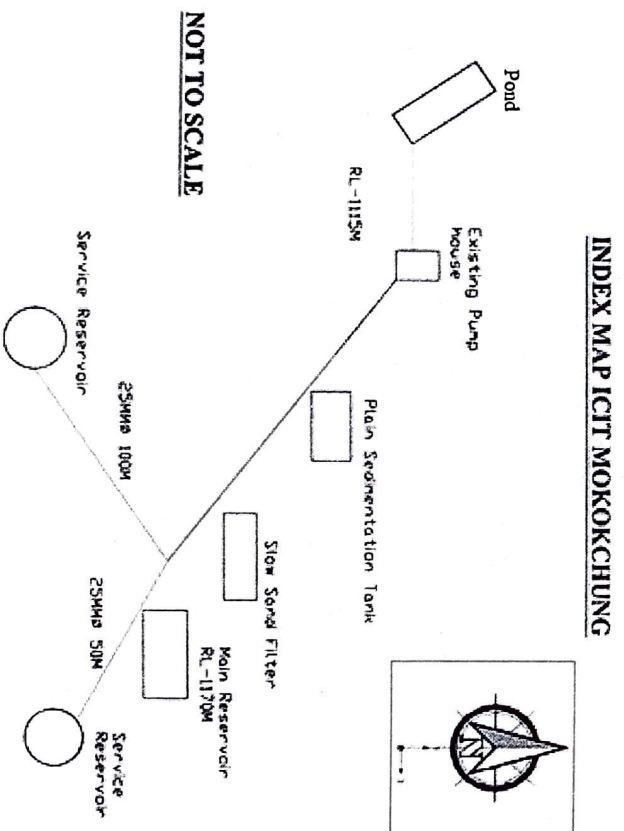
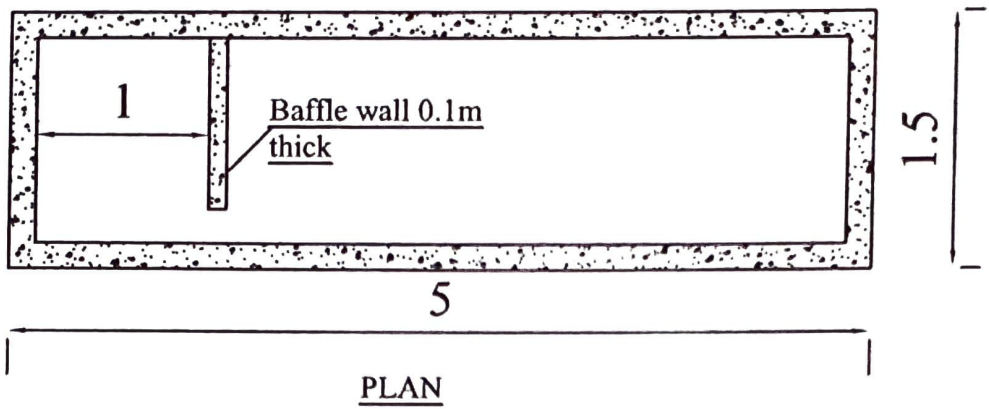
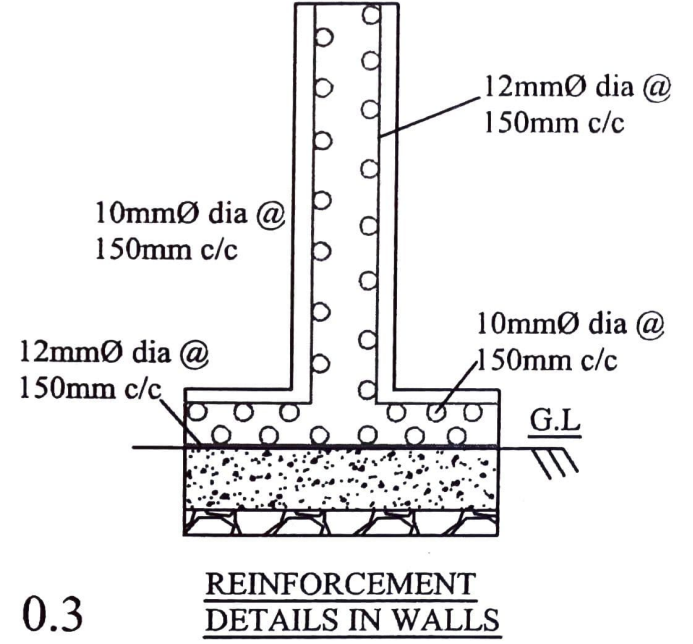
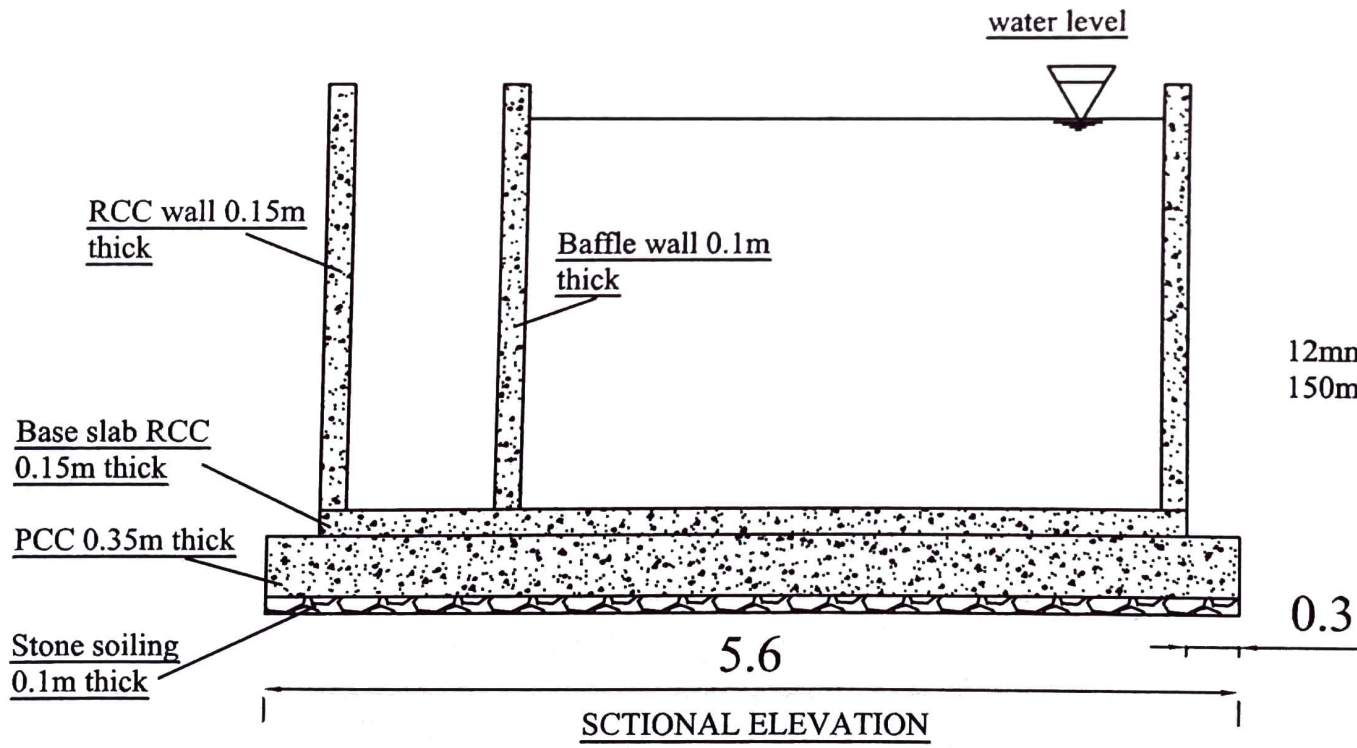


Figure 2. Index map

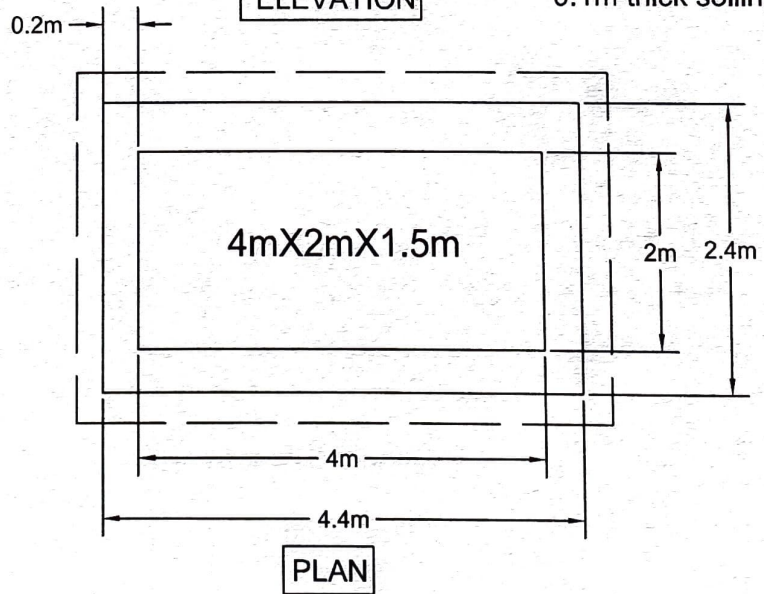
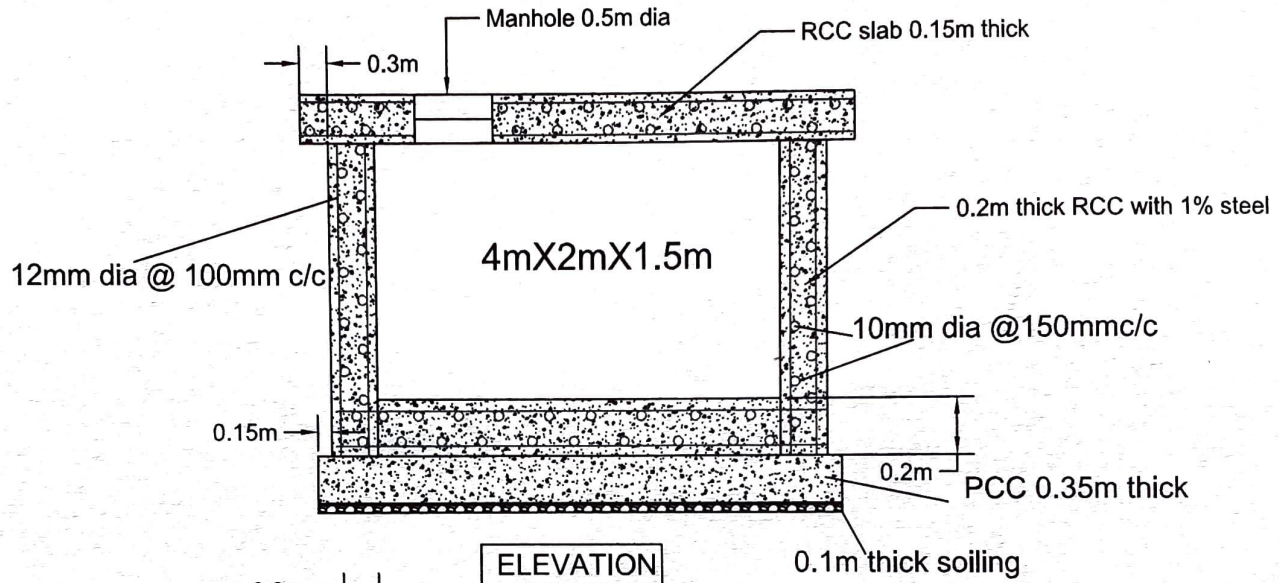
NAME OF WORK:- CONSTRUCTION OF PLAIN SEDIMENTATION TANK



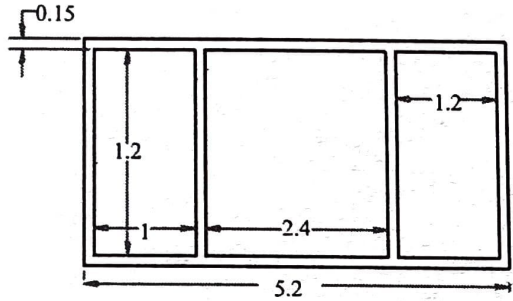
ALL DIMENSIONS
ARE IN METRE



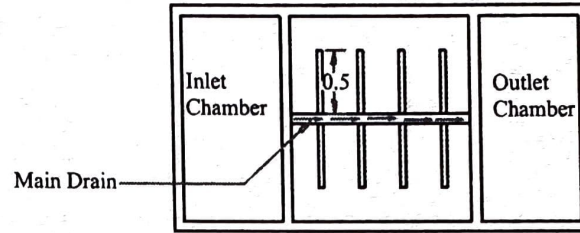
NAME OF WORK:- CONSTRUCTION OF RCC MAIN
RESERVOIR TANK



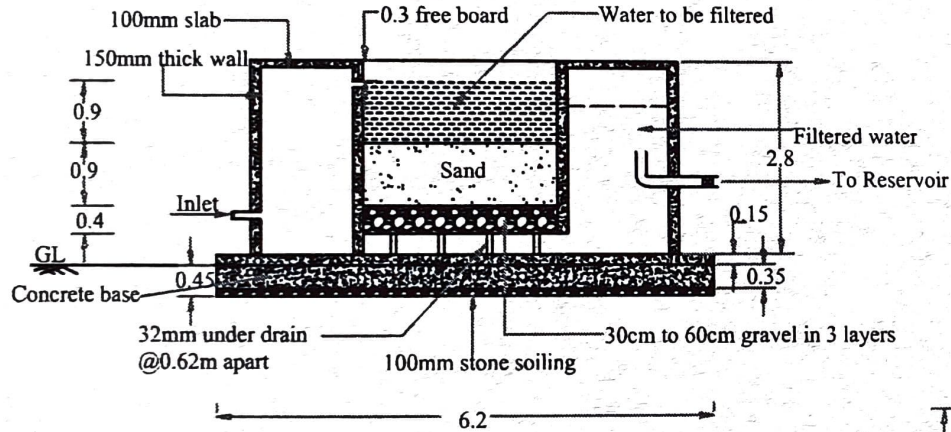
NAME OF WORK:- CONSTRUCTION OF SLOW SAND FILTER



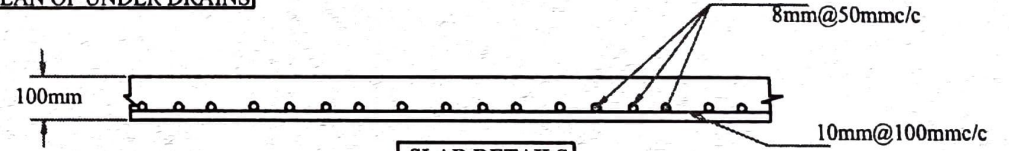
PLAN



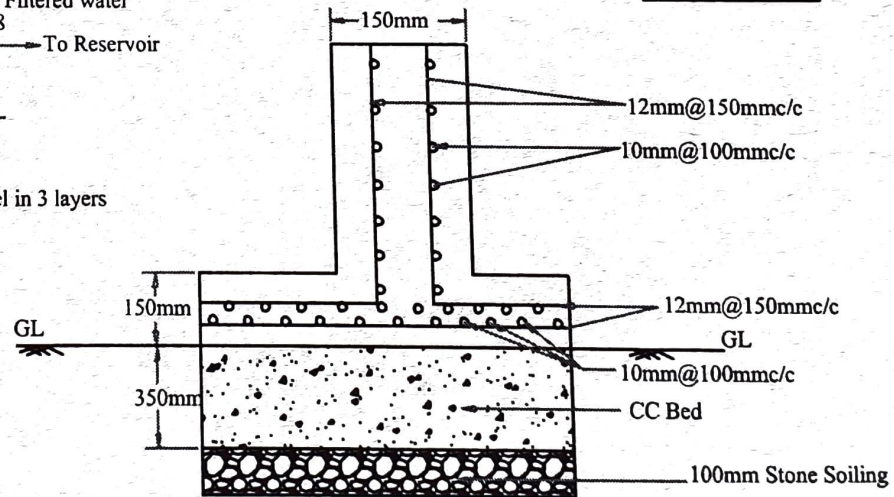
PLAN OF UNDER DRAINS



SECTION OF SLOW SAND FILTER



SLAB DETAILS



WALL REINFORCEMENT

ALL DIMENSIONS IN METRE